



Post Curing Inflator for new and existing curing presses (PCI)

Simple Design
Reliable
Easy Adjustment



TireTech Group

*Performance. Passion. Partnership.
Innovative Engineering since 1855.*

Product information

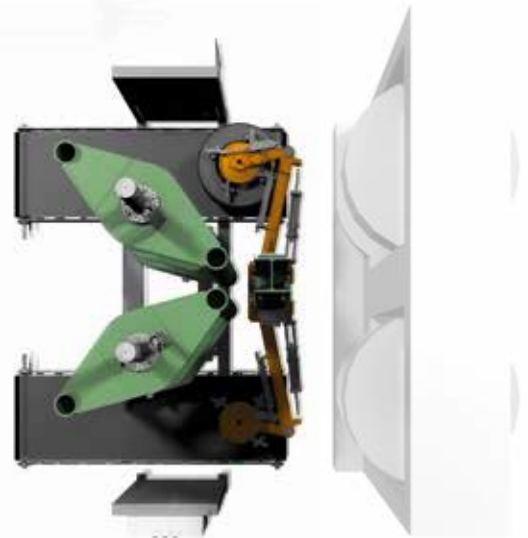
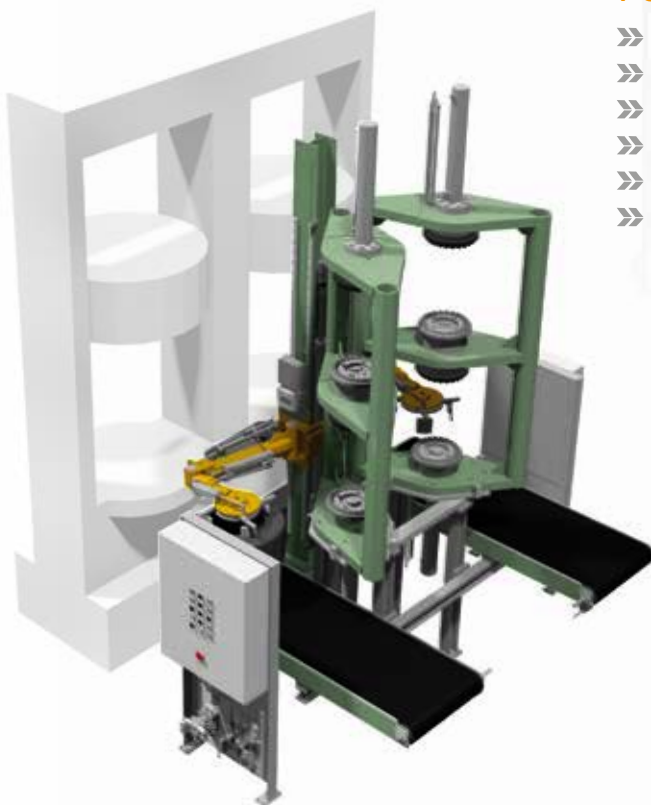
The patented Stack PCI design provides a simple and compact solution for post curing your tires. The compact design allows for the PCI to be **integrated into even the tightest footprints**. This solution eliminates any movement or rotations of the PCI body itself and greatly reduces the amount of moving mechanical components and maintenance. **All HF presses are designed to incorporate the PCI.**

The HF Stand Alone Stack PCI is **designed to fit behind most existing curing presses**.

We will replace the existing unloading unit together with the PCI, including independent hydraulic manifolds and electrical controls, along with a conveyor for transporting the tires to your take-away conveyor.

Features

- » Simple and robust design
- » Easy to maintain
- » Accurate and stable
- » Fully automated
- » Adjustable overstroke (controlled by LVDT)
- » Universal stand alone PCI compatible to your existing presses



Main Technical Parameters

Item	Unit	Post Curing Inflator
Frame construction type		stack/stand alone
Control type		common/independent
Max. closing force	kN (t-force)	170 (19)
No. Inflation stations		4 (2 per cavity)
Bead height adjustment		stepless by recipe/touch panel
Tire Parameters		
Min./max. Bead diameter	inch	12-25
Max. Cured tire outer diameter	mm (inch)	1.000 (39,4)
Max. Cured tire height	mm (inch)	450 (18)
Loading/Unloading		by press unloader/stand alone unloader
PLC Systems/Automation		main suppliers available
Safety		according to local safety standards